



DESIGN FEATURES

- * The Gate Valve function is to isolate or sectionalize any piece of equipment or length of pipeline system.
- * It is normal practice, therefore, to use them on suction and delivery branches of pumps at regular intervals along a pipeline, at branches underneath air valves, on bypasses, on drains or washouts etc.
- * They have a low head loss coefficient, hence are ideal on pump installation to maximize system efficiency.

OPERATION

- * Valves are generally supplied with cap top or handwheel, Rising or Non-Rising stem.
- * Certain flow conditions may necessitate the use of bypass arrangements.
- * Gear or chainwheel operation, Electric or hydraulic actuators may also be fitted during manufacture or retro fitted at a later date.

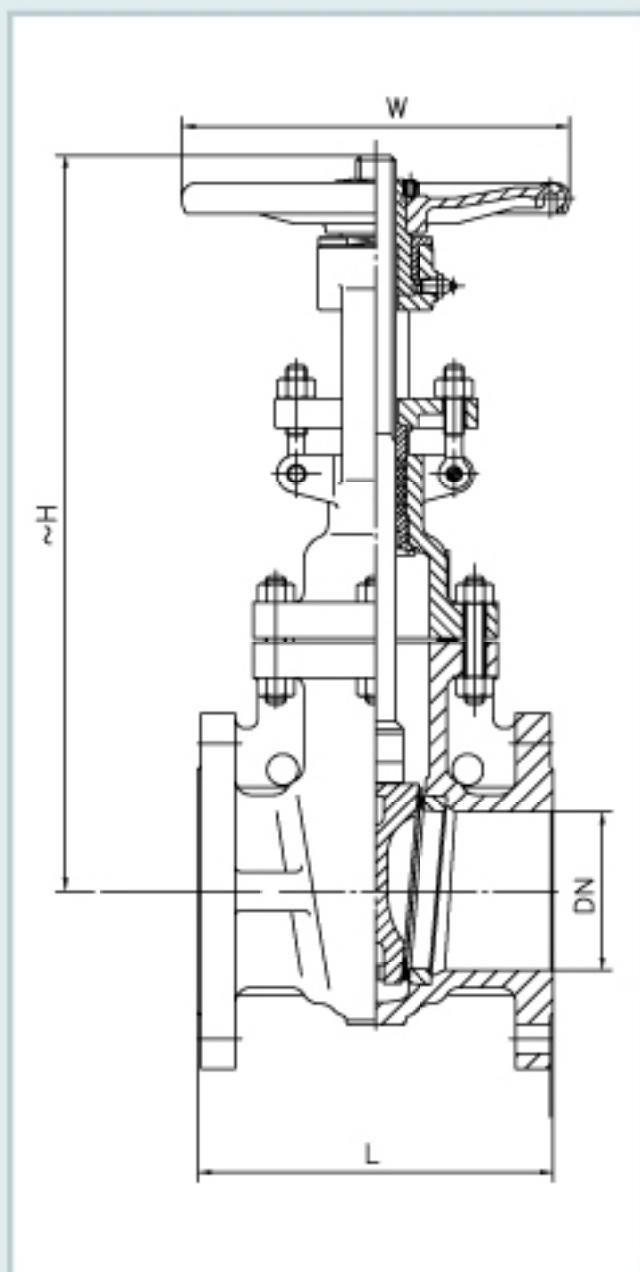
WATERFRONT FLUID CONTROLS WATERFRONT ENGINEERING SERVICES

Unit 6, Elderpark Workspace, 100 Elderpark Street, Glasgow, G51 3TR.

Tel: (44) 0141-5856750 Fax: (44) 0141-5856751

Website: www.waterfrontengservices.co.uk

SPECIFICATIONS



APPLICATION

- * Designed specially for applications where a tight shut off is required and to cope with arduous operating conditions.
- * Valve suitable for above and below ground service with potable water, sea water, sewage, oils, alkalis and dilute acids, etc.

PRESSURE RATING

- * PN16, PN25, PN40, PN64, PN100 are available.

END FLANGE

- * BS EN1092-2, ANSI, DIN or other flange requirements on request.
- * The face-to-face dimensions shall be in accordance with EN558-1

VALVE FINISH

- * Protection inside and outside by Epoxy Coating complying with BS6920.
- * Other finishes available to suit various service mediums.

TESTING

- * Each valve shall be pressure tested prior to dispatch in accordance with EN12266-1

DIMENSIONS & WEIGHTS

| DN mm | L mm | H mm | W mm |
|----------|---------|---------|---------|
| 40 | 165 | 390 | 200 |
| 50 | 178 | 400 | 200 |
| 65 | 191 | 490 | 200 |
| 80 | 203 | 508 | 250 |
| 100 | 229 | 585 | 300 |
| 150 | 267 | 773 | 350 |
| 200 | 292 | 955 | 350 |
| 250 | 330 | 1160 | 400 |
| 300 | 356 | 1373 | 450 |
| 350 | 381 | 1569 | 500 |
| 400 | 406 | 1765 | 600 |
| 450 | 432 | 1978 | 600 |
| 500 | 457 | 2219 | 680 |
| 600 | 508 | 2611 | 720 |

MAJOR COMPONENT

| | |
|-------------------------|---|
| Body / Bonnet / Disc | - Cast Steel to BS1504 - Stainless Steel to CF8+F316 |
| Stem | - Stainless Steel to BS970-431S29 - Stainless Steel to BS970-316 |
| Stem Nut | - Aluminum Bronze to BS EN1982-CC331G - Stainless Steel to BS970-316 |
| Disc Ring and Seat Ring | - Aluminum Bronze to BS EN1982-CC331G - Stainless Steel to BS970-316 |

Other materials available on request