

WATERFRONT

Series 906 Loose Jumper Stop Valve - BS1010: Part 2: 1973



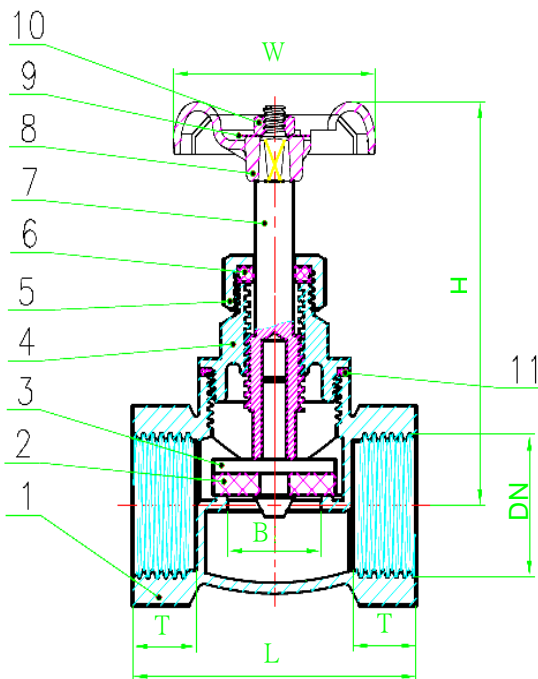
APPLICATION

- * To adjust flow rate
- * Non-return function
- * Tight shut off function

PRESSURE RATING

16 bar working pressure
20 bar Body & Seat Test Pressure
(According to BS1010)

SPECIFICATIONS



MAJOR COMPONENT

REF	PARTS	MATERIALS
1	Body	Gunmetal to BS1400 LG2
2	Washer	NBR
3	Washer Plate	Brass to BS2874 CZ122
4	Bonnet	Gunmetal to BS1400 LG2
5	Pack Nut	Brass to BS2874 CZ122
6	Packing	PTFE
7	Spindle	Brass to BS2874 CZ122
8	Handwheel	Aluminium Alloy
9	Name Plate	Aluminium Alloy
10	Nut	Brass to BS2874 CZ122
11	Head Seal	Red Paper

DIMENSIONS (in mm)

DN	20	25	32	40	50
L	58	74	89	98	114
H	81	83	113	114	228
W	63	63	80	80	80
B	20	25	32	38	50
T	13	15	18	20	21
Weight	0.31kg	0.45kg	0.94kg	1.15kg	1.79kg

WATERFRONT FLUID CONTROLS WATERFRONT ENGINEERING SERVICES

Unit 6, Elderpark Workspace, 100 Elderpark Street,
Glasgow, G51 3TR.

Tel: (44) 0141-5856750 Fax: (44) 0141-5856751

Website:

www.waterfrontfluidcontrols.co.uk

www.waterfrontengservices.co.uk