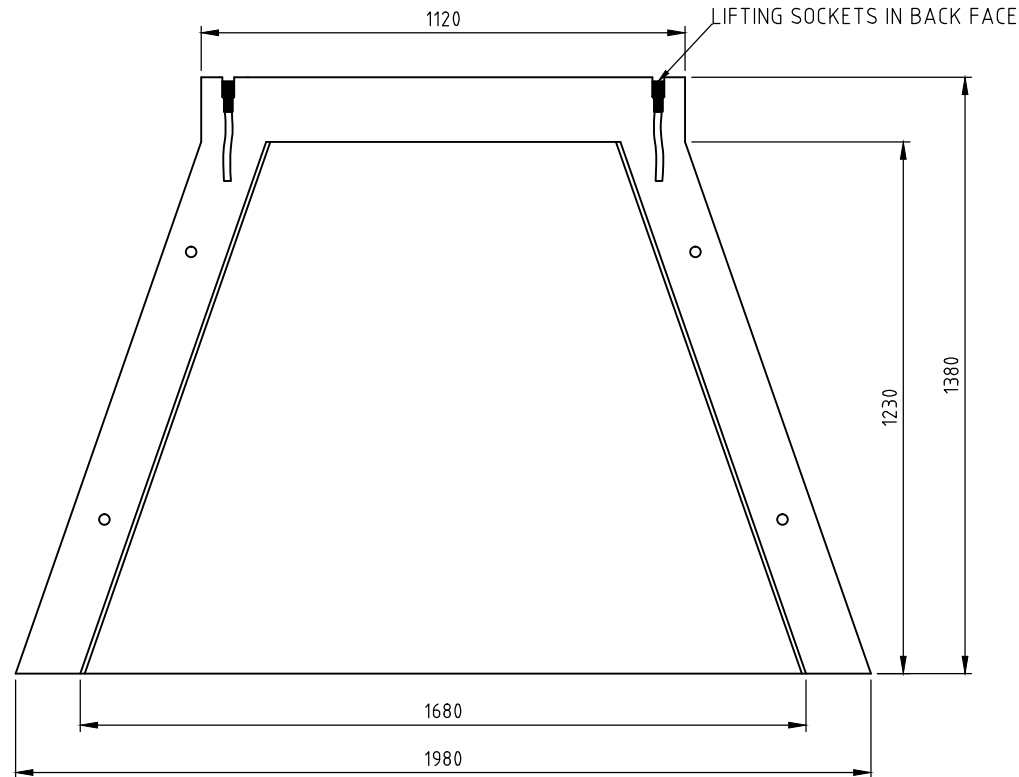


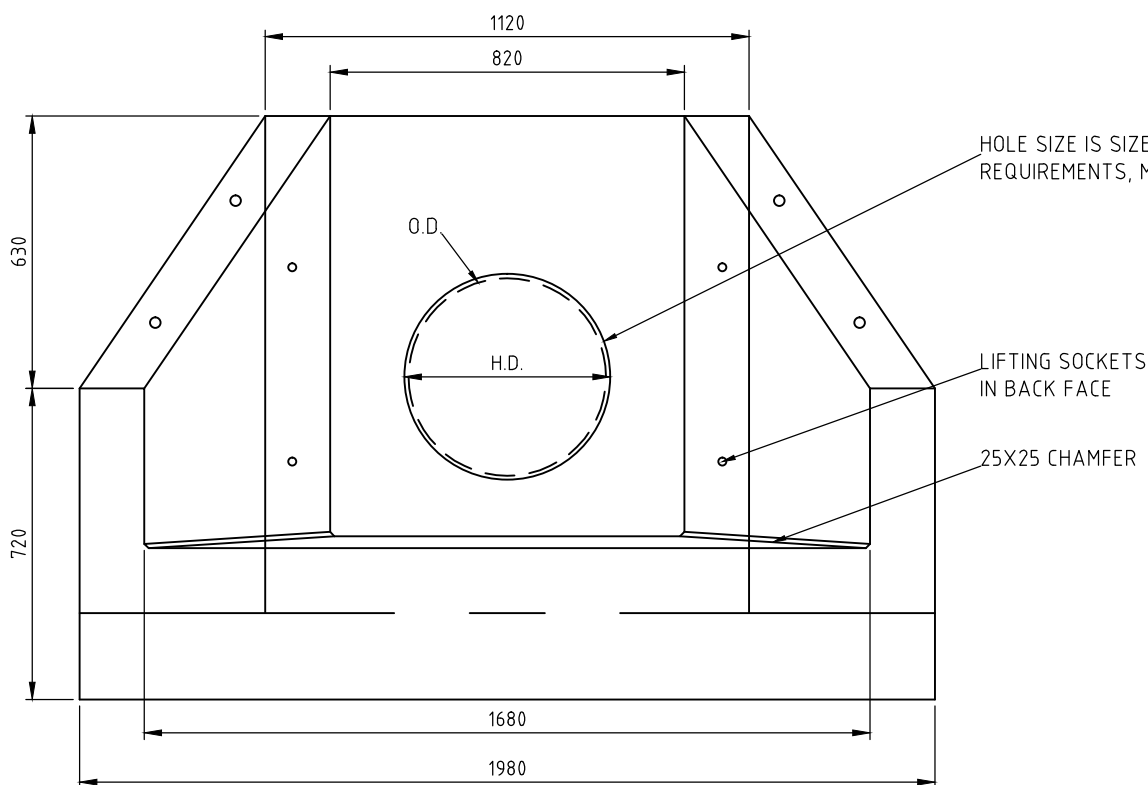
DO NOT SCALE

COPY RIGHT
AND
DESIGN RIGHT

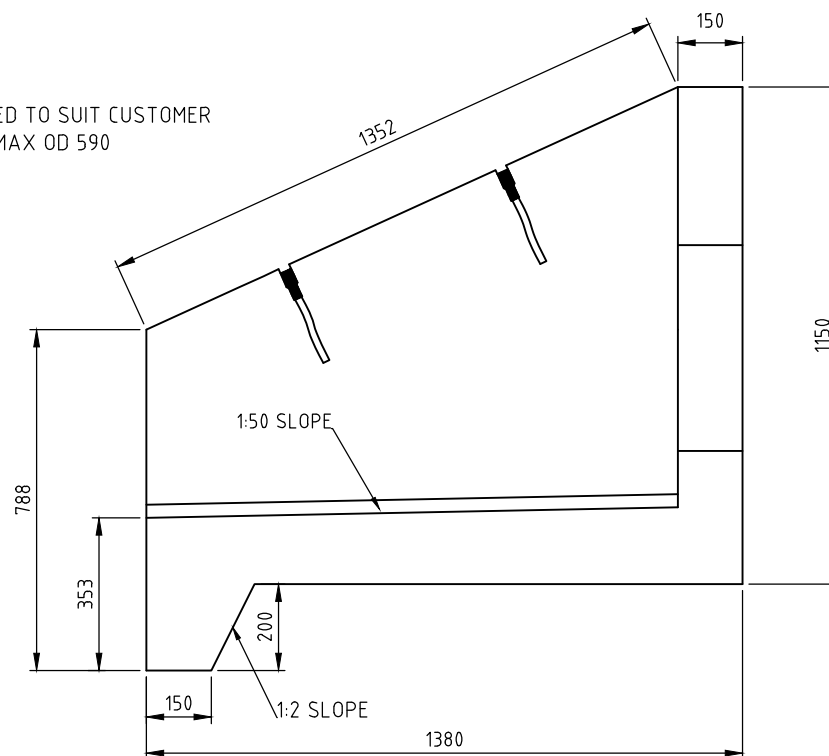
COPYRIGHT:
The drawing is protected by copyright. Must not be reproduced in any form, including manufacture of the product shown therein, without the prior written consent of the copyright owners.
WATERFRONT FLUID CONTROLS LTD.



- NOTES:
1. Cylindrical opening in rear wall cast to suit outside diameter of chosen pipe.
 2. Headwall to be used with pipe outer diameters not exceeding 590mm (typically suitable for 300 to 450mm concrete pipe).
 3. Approximate Weight = 2400Kg
 4. Concrete C40/50 DC4 (BRE SD1) (Delta ALT Mix)
 5. Cover 40mm minimum
 6. Tolerances: Dimensional tolerances as per BS8110
 7. The suitability of the product for the project (Stability & Support Conditions for Example) must be checked by the Project Engineer. as a minimum units should be bedded on 100mm thickness of lean mix-concrete (GEN1)
 8. Suitably rated four-legged lifting chainset must be used. The included angle at the master link must be less than 30°. The minimum leg length must be 1100mm. Lifting speed of $\approx 90\text{m/s}$ has been assumed.



HOLE SIZE IS SIZED TO SUIT CUSTOMER REQUIREMENTS, MAX OD 590



TITLE

Medium Concrete Headwall for Pipe Outer Diameters up to 590mm

WATERFRONT FLUID CONTROLS
The Hub (Unit 8),
Pacific Drive, Glasgow
G51 1EA
website: www.waterfrontfluidcontrols.co.uk
Tel: (44) 0141-4277266
Fax: (44) 0141-4272706

SCALE	1:20
DRAWN	J.Jenkins
DATE	21/01/2014

DRG. No. CDO/ D / 1506

REV No. 3