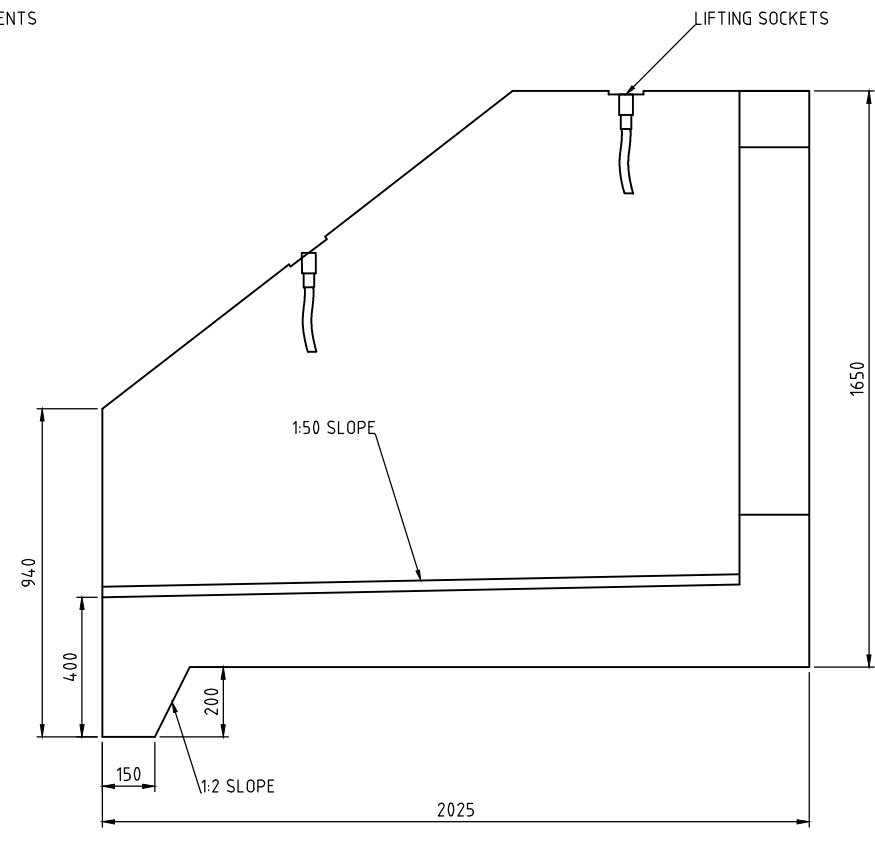
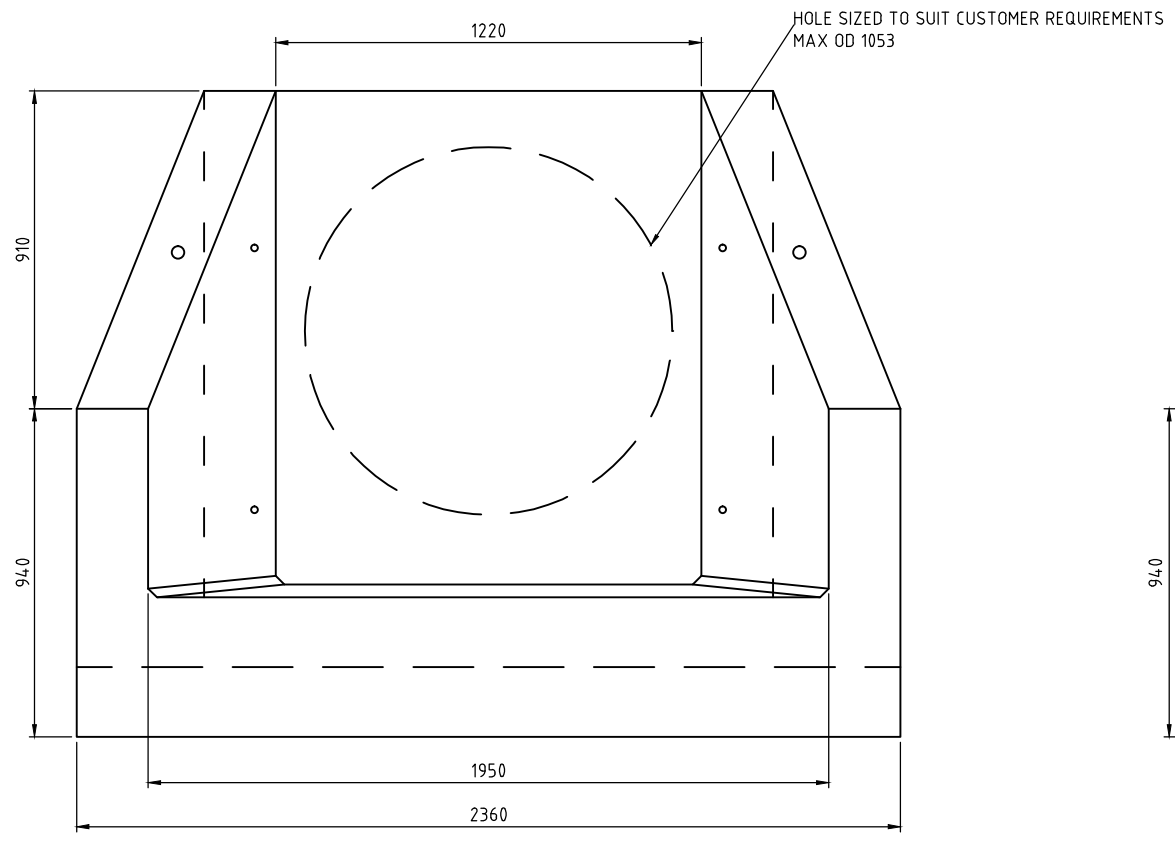
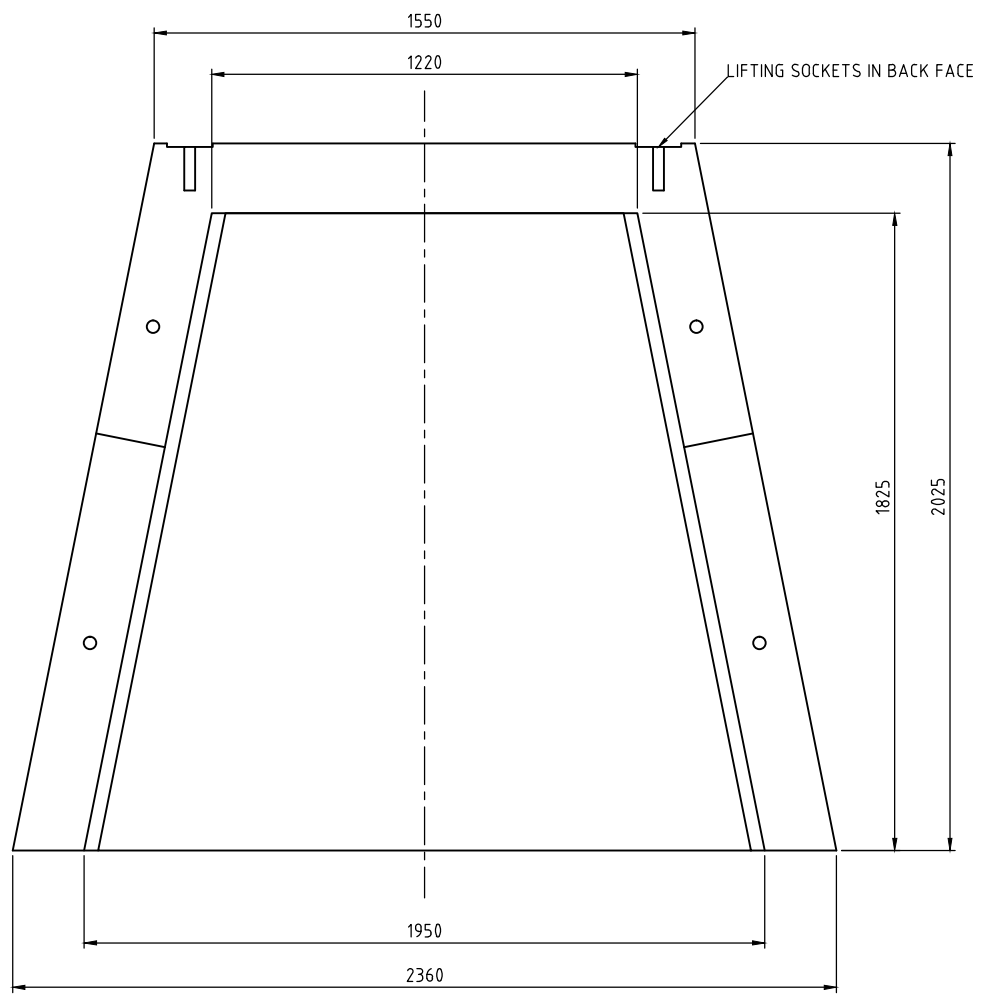


DO NOT SCALE

COPY RIGHT
AND
DESIGN RIGHT

COPYRIGHT:
The drawing is protected by copyright. Must not be reproduced in any form, including manufacture of the product shown therein, without the prior written consent of the copyright owners.
WATERFRONT FLUID CONTROLS LTD.



- NOTES:
1. Cylindrical opening in rear wall cast to suit outside diameter of chosen pipe.
 2. Headwall to be used with pipe outer diameters not exceeding 1053mm (typically suitable for 525 to 900mm concrete pipe)
 3. Approximate Weight = 5300 Kg
 4. Concrete C40/50 DC4 (BRE SD1) (Delta ALT Mix)
 5. Cover 40mm Minimum
 6. Tolerances
Dimensional Tolerance as per BS8110
 7. The suitability of the product for the project (Stability & Support Conditions for Example) must be checked by the Project Engineer.
As a minimum units should be bedded on 100mm thickness of lean mix-concrete (GEN1)
 8. Suitably rated four-legged lifting chain set must be used. The included angle at the master link must be less than 30°. The minimum leg length must be 2000mm
Lifting speed of $\approx 90\text{m/s}$ has been assumed.
transporting of unit must be over prepared even ground if on chainset.
 9. Minimum concrete strength for de-moulding is 20N/mm^2



TITLE

Large Concrete Headwall for Pipe Outer Diameters up to 1053mm

WATERFRONT FLUID CONTROLS
The Hub (Unit 8),
Pacific Drive, Glasgow
G51 1EA
website: www.waterfrontfluidcontrols.co.uk
Tel: (44) 0141-4277266
Fax: (44) 0141-4272706

SCALE	1:25
DRAWN	J.Jenkins
DATE	21/01/2014

DRG. No. CDO/ D / 1507

REV No. 4