

## TKV SERIES DN125-DN3600 HDPE FLAP VALVES

### PRODUCTION FACILITY

We design and manufacture the flap valves ourselves. Our team is ready to respond to your standard required or project-oriented designs. If requested we can also mount the flap valves for you.

### MATERIALS

All flap valves are made from high quality HDPE materials or a combination of HDPE material and stainless steel reinforcements. The materials are highly corrosion resistant with a longevity and low maintenance cost.

The valve is made of high quality plastic whereas a steel valve can cause higher hydraulic losses and thus one needs a smaller and cheaper pump on site when applying an HDPE valve.

The hinged pin is adjusted to suit the valve size in order to prevent an oval hole being formed due to higher applying forces.



FLAP VALVES  
CERTIFICATE: ISO 9001: 2008  
INDUSTRIAL STANDARDS: DIN 19569-4

#### ADVANTAGES:

- High duty construction
- Light construction and thus easier installation and cheaper installation costs.
- Minimum maintenance
- Less hydraulic losses

#### CHARACTERISTICS

Size 125 – 3600mm  
Standard 6 mwc  
Flange sealed on one side  
Mounting flat structure, PVC, concrete or internal rounded pit



Waterfront Engineering Services is accredited by UVDB, UVBB VERIFY and ISO 9001:2008

### WATERFRONT FLUID CONTROLS LTD

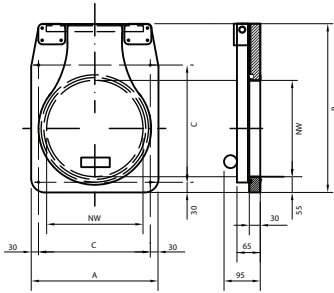
[www.waterfrontfc.co.uk](http://www.waterfrontfc.co.uk)

The Hub (Unit 8), Digital Media Quarter, Pacific Drive, Glasgow, G51 1EA

TEL: +44 (0)141 427 7266 \* FAX: +44 (0)141 427 2706 \* E MAIL: [SALES@WATERFRONTFC.CO.UK](mailto:SALES@WATERFRONTFC.CO.UK)

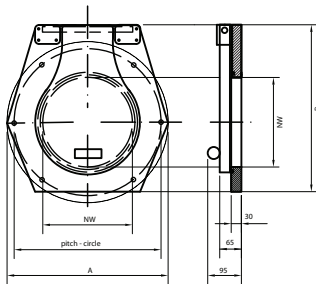
Company Reg No: 305356 \* VAT Reg No: 894898138

## SPECIFICATIONS TKV SERIES DN125-DN1000 TYPE WALL MOUNTED



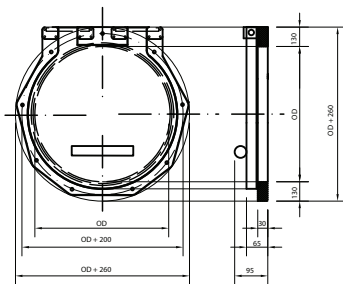
### TKV SERIES DN 125 - 300

ØNW	A	B	C	Pressure	Weight
125	235	295	175	6 mwc	4
150	260	325	200	6 mwc	4
200	310	378	250	6 mwc	5
250	360	430	300	6 mwc	7
300	410	480	300	6 mwc	8



### TKV SERIES DN 400 - 600

ØNW	A	B	Pitch	Pressure	Weight
400	Ø 610	603	Ø 550	6 mwc	11
500	Ø 710	699	Ø 650	6 mwc	14
600	Ø 810	824	Ø 750	6 mwc	18



### TKV SERIES DN 400 - 600

Ø D	Width	Height	Pitch	Pressure	Weight
700	960	960	Ø 900	4 mwc	29
800	1060	1060	Ø 1000	3 mwc	34
900	1160	1160	Ø 1100	2.5 mwc	41
1000	1260	1260	Ø 1200	2 mwc	47

INDUSTRIAL STANDARD DIN 19569-4

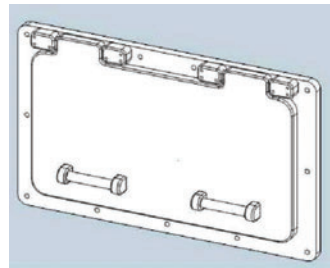
PRESSURE CHARACTERISTICS  
6 mwc

STANDARD CONSTRUCTION MATERIALS

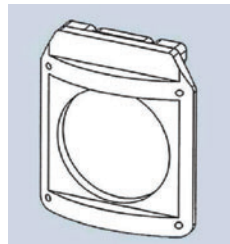
Frame: HDPE -300  
 Valve: HMPE - 500 or HDPE - 300  
 Valve hinge pin: Stainless steel AISI 316  
 Sealing: EPDM

OPTIONS

Other sizes up to 1000 mm  
 Square, rectangular or oval



Inside round pit



TYPE TKV-F FLANGE MOUNTED

All TKV series are available in flange mounting

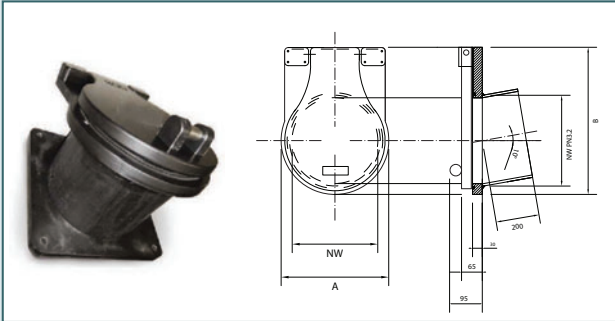
**WATERFRONT FLUID CONTROLS LTD**

[www.waterfrontfc.co.uk](http://www.waterfrontfc.co.uk)

The Hub (Unit 8), Digital Media Quarter, Pacific Drive, Glasgow, G51 1EA

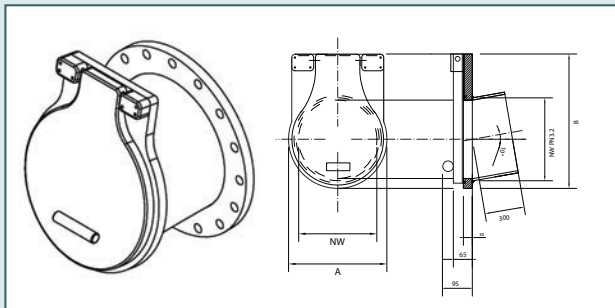
TEL: +44 (0)141 427 7266 \* FAX: +44 (0)141 427 2706 \* E MAIL: [SALES@WATERFRONTFC.CO.UK](mailto:SALES@WATERFRONTFC.CO.UK)

Company Reg No: 305356 \* VAT Reg No: 894898138



### TKVA SERIES DN 125 - 300

ØNW	A	B	Pressure	Weight
125	250	303	6 m	5
150	250	320	6 m	6
200	290	368	6 m	7
250	340	420	6 m	9
300	390	470	6 m	10



### TKVA SERIES DN 400 - 600

ØNW	A	B	Pressure	Weight
400	490	580	6 m	13
500	590	683	6 m	18
600	690	793	6 m	22

### INDUSTRIAL STANDARD

DIN 19569-4

### PRESSURE CHARACTERISTICS

6 m

### STANDARD CONSTRUCTION MATERIALS

Frame: HDPE -300  
 Valve: HMPE - 500  
 Sealing: EPDM

### OPTIONS

Other sizes up to 600 mm  
 Square, rectangular or oval

### TYPE TKVA-F FLANGE MOUNTED

All TKVA series are available in flange mounting



### TYPE TKV-F FLANGE MOUNTED

All TKVA series are available in spigot mounting



### WATERFRONT FLUID CONTROLS LTD

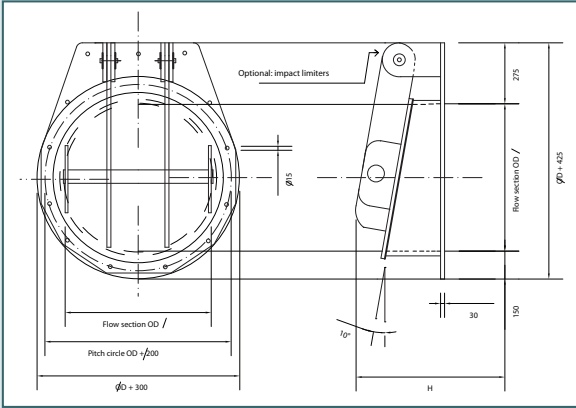
[www.waterfrontfc.co.uk](http://www.waterfrontfc.co.uk)

The Hub (Unit 8), Digital Media Quarter, Pacific Drive, Glasgow, G51 1EA

TEL: +44 (0)141 427 7266 \* FAX: +44 (0)141 427 2706 \* E MAIL: SALES@WATERFRONTFC.CO.UK

Company Reg No: 305356 \* VAT Reg No: 894898138

### TKV SERIES DN 700 - 3600



$\varnothing D$	Frame Width	Frame Height	H	Pressure	Weight (kg)
700	1000	1125	460	6 m	55
800	1100	1225	480	6 m	60
900	1200	1325	495	6 m	75
1000	1300	1425	510	6 m	85
1200	project-oriented dependant on head pressure				
1250					
1500					
2000					
2500					
3000					
3600					

### INDUSTRIAL STANDARD

DIN 19569-4

### PRESSURE CHARACTERISTICS

6 m or project oriented

### STANDARD CONSTRUCTION MATERIALS

Frame: HDPE -300

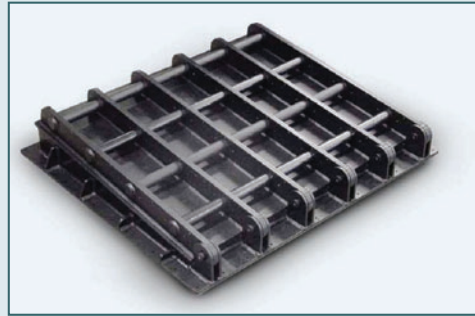
Valve: HDPE - 300

Valve hinge pin: Stainless steel AISI 316

Sealing: EPDM

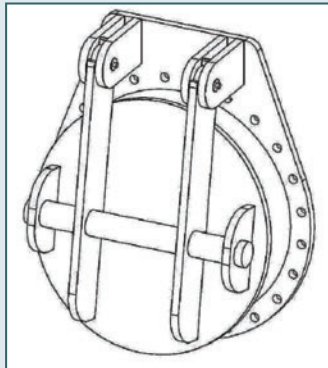
### OPTIONS

Other sizes up to 1000 mm  
Square, rectangular or oval



### TYPE TKV-F FLANGE MOUNTED

All TKV series are available in flange mounting



### WATERFRONT FLUID CONTROLS LTD

[www.waterfrontfc.co.uk](http://www.waterfrontfc.co.uk)

The Hub (Unit 8), Digital Media Quarter, Pacific Drive, Glasgow, G51 1EA

TEL: +44 (0)141 427 7266 \* FAX: +44 (0)141 427 2706 \* E MAIL: [SALES@WATERFRONTFC.CO.UK](mailto:SALES@WATERFRONTFC.CO.UK)

Company Reg No: 305356 \* VAT Reg No: 894898138