

Stainless Steel Wall Mounted Penstocks

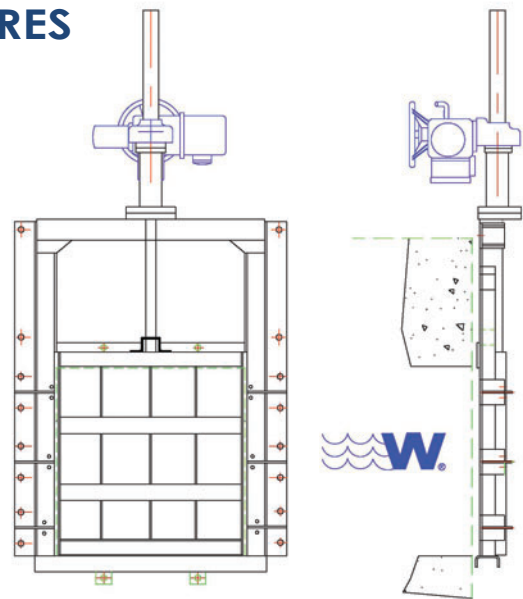
Figure no. W3500 & W3600 manufactured according to BS7775

Waterfront designs and manufactures a range of Stainless Steel penstocks for applications in the potable and wastewater sectors as well as for drainage, power and industrial plants.

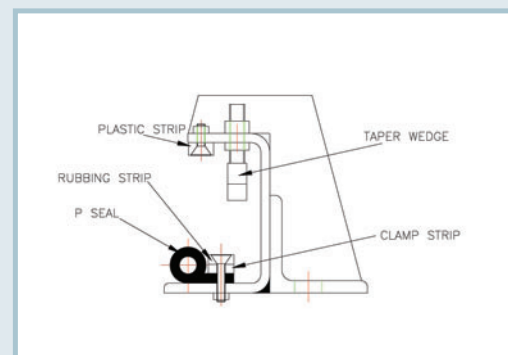
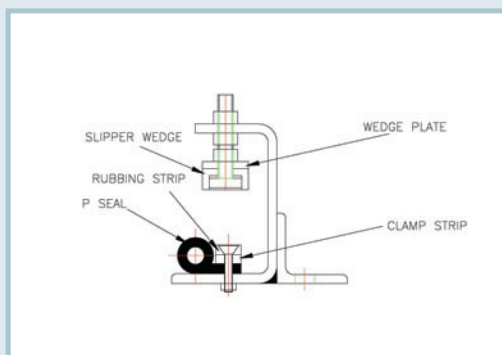
With the application of its **advanced computer design and quotation programmes**, a rapid response is achieved in providing quality customer service and on-time deliveries.

WALL PENSTOCKS – DESIGN FEATURES

- Types:** Full Frame with direct-on operating gear.
Open Frame with remote operating gear.
- Size range:** From 100mm to 4000 square or rectangular.
- Pressure:** Up to 10 metres head of water, On and Off Seating
- Materials:** STAINLESS STEEL GRADES SS304, SS316, SUPER DUPLEX, MILD STEEL WITH PROTECTIVE COATINGS.



SEAL ARRANGEMENT



WATERFRONT FLUID CONTROLS LTD

www.waterfrontfc.co.uk

The Hub (Unit 8), Digital Media Quarter, Pacific Drive, Glasgow, G51 1EA

TEL: +44 (0)141 427 7266 * FAX: +44 (0)141 427 2706 * E MAIL: SALES@WATERFRONTFC.CO.UK

Company Reg No: 305356 * VAT Reg No: 894898138

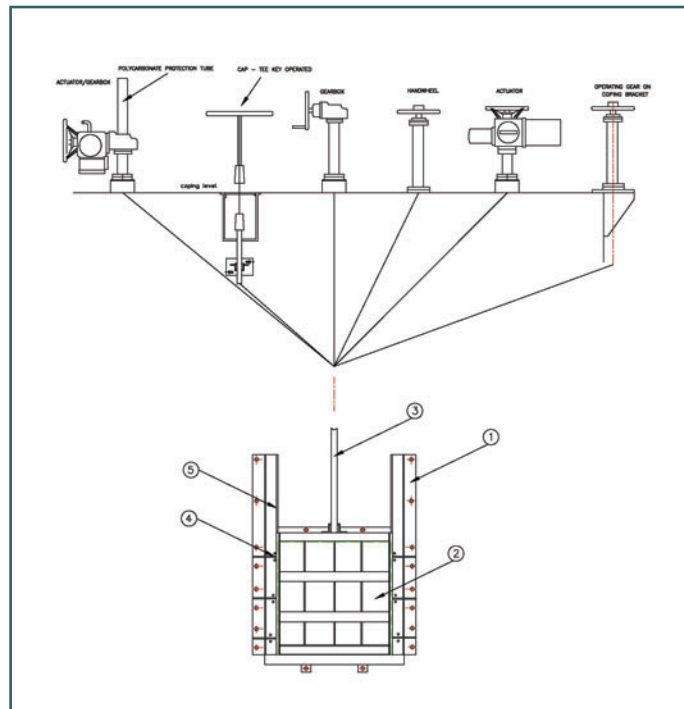
Stainless Steel Wall Mounted Penstocks

Figure no. W3500 & W3600 manufactured according to BS7775

SPECIFICATIONS

OPERATING GEAR

- Use:** Controlling the method of opening and closing the Penstock.
- Types:** Rising and Non-Rising Stems.
- Mounting:** Pillar on a Frame, Pillar on a floor, Pillar on Coping Bracket, Cap with Support-Bracket.
- Operation:** Cap, Handwheel, Gearbox, Actuator, Actuator/Gearbox Combination.



COMPONENT	MATERIAL
FRAME	STAINLESS STEEL GRADES SS304, SS316, MILD STEEL, SUPER DUPLEX
DOOR	STAINLESS STEEL GRADES SS304, SS316, MILD STEEL, SUPER DUPLEX
STEM	STAINLESS STEEL GRADES SS304, SS316, MILD STEEL
WEDGE	PE, STAINLESS STEEL GRADES SS304, SS316
SEAL	EPDM, COMBINED PE+NEOPRENE, NITRILE SEAL

WATERFRONT FLUID CONTROLS LTD

www.waterfrontfc.co.uk

The Hub (Unit 8), Digital Media Quarter, Pacific Drive, Glasgow, G51 1EA

TEL: +44 (0)141 427 7266 * FAX: +44 (0)141 427 2706 * E MAIL: SALES@WATERFRONTFC.CO.UK

Company Reg No: 305356 * VAT Reg No: 894898138