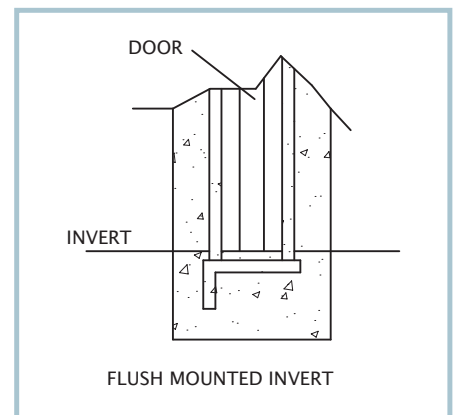
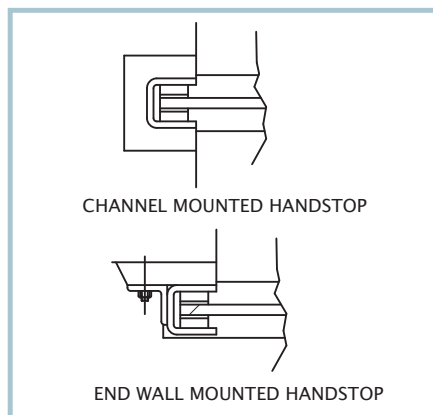
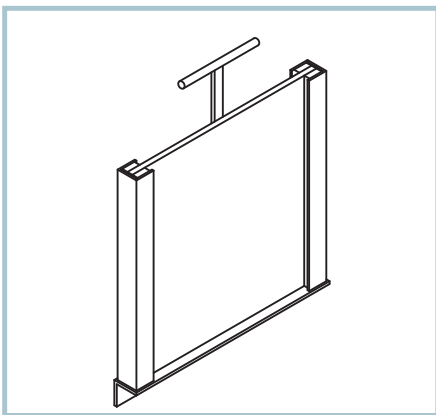


**Waterfront Engineering Services Ltd.** design and manufacture a range of Handstops to suit a wide variety of water, sewage, agricultural and domestic applications. With the application of its **advanced computer design and quotation programmes**, a rapid response is achieved in providing quality customer service and on-time deliveries.

## SIZE RANGE

Handstops are available in a range from 100mm to 1000mm as Square, Rectangular or Circular apertures. Beyond these sizes the lifting effort becomes excessive and the use of penstocks should be considered. The handstops are suitable for On and Off seating pressure applications.



## MATERIALS & CONSTRUCTION

### STOP

Rigid uPVC incorporating stainless steel stiffening ribs when required.

### FRAME

Manufactured in Stainless Steel Grades SS316 or SS304 or Mild Steel to BS 4360-3A with suitable protective coatings.

### SEALS

Frame Seal-Resilient low friction composite material consisting of PE and neoprene. Flush Invert- Closed cell neoprene secured to the frame.

## HANDSTOP MOUNTING

- a.) Channel Mounting into pre-prepared rebates in the channel sides and floor.
- b.) End Wall Mounting onto pre-prepared vertical channel end walls and rebated into the channel floor.
- c.) Side Wall Mounting onto the channel walls and floor where no pre-prepared rebates are available. Sealing is achieved through grouting between the handstop frame and channel surfaces.

## LIFTING

- a.) The Handstops are served as standard with either one or two hand slots depending on the size
- b.) Stainless steel handles are available for special applications depending on customers' requirements

### WATERFRONT FLUID CONTROLS LTD

[www.waterfrontfc.co.uk](http://www.waterfrontfc.co.uk)

The Hub (Unit 8), Digital Media Quarter, Pacific Drive,  
Glasgow, G51 1EA

TEL: +44 (0)141 427 7266 \* FAX: +44 (0)141 427 2706 \* E

MAIL: [SALES@WATERFRONTFC.CO.UK](mailto:SALES@WATERFRONTFC.CO.UK)

Company Reg No: 305356 \* VAT Reg No: 894898138

**Waterfront Engineering Services Ltd.** offers a quality service in Special Design Applications, Products and Installation with over 25 years experience in the Water and Industrial market sectors. It is the Company's Policy to be at the forefront of clients' requirements through the application of advances in materials and computer design technology for the benefit of its customers.