

WATERFRONT

Series 614 Stainless Steel Check Valve- BS EN10226-1 (Screwed)



APPLICATION

* For Potable Water, Sea Water, Corrosive Fluid

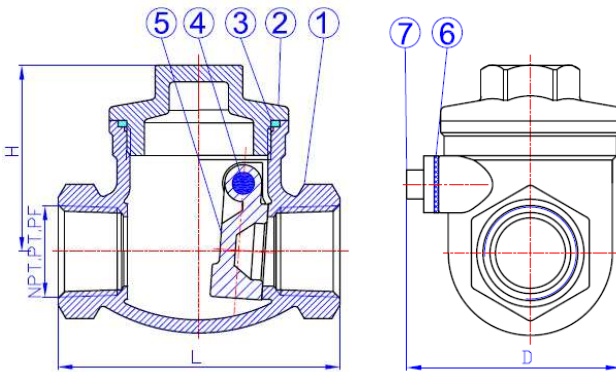
* Non-Return Function

PRESSURE RATING

16 bar working pressure

24 bar Test Pressure

SPECIFICATIONS



MAJOR COMPONENT

REF	PARTS	MATERIALS
1	Body	316S.S. (BSEN 10088)
2	Cap	316S.S. (BSEN 10088)
3	Gasket	PTFE
4	Plug	316S.S. (BSEN 10088)
5	Disc	316S.S. (BSEN 10088)
6	Gasket	PTFE
7	Stopper	304 Stainless Steel

DIMENSIONS (in mm)

DN	15	20	25	32	40	50
L	65	80	89	105	120	139
H	43	53	60	66	75	80
D	46.5	51.5	56	64	74.5	84
Weight	0.24kg	0.36kg	0.69kg	0.86kg	1.35kg	2.37kg

WATERFRONT FLUID CONTROLS WATERFRONT ENGINEERING SERVICES

Unit 6, Elderpark Workspace, 100 Elderpark Street, Glasgow, G51 3TR.

Tel: (44) 0141-5856750 Fax: (44) 0141-5856751

Website:

www.waterfrontfluidcontrols.co.uk

www.waterfrontengservices.co.uk