

WATERFRONT

RECOIL CHECK VALVE

DESIGN FEATURES

- * NON-SLAM OPERATION
- * NO EXTERNAL DAMPING REQUIRED
- * MINIMUM HEADLOSS
- * REMOVABLE COVER FOR EASE OF MAINTENANCE
- * METAL-TO-METAL SEAT SEALING
- * EPOXY COATING EXTERNALLY AND INTERNALLY
- * FLANGE DRILLING TO BS EN1092-2 PN16
- * SIZE RANGE FROM DN80 TO DN1400



OPTIONS

- * LIMIT / PROXIMITY SWITCH
- * PRESSURE RATING PN16 / 25
- * BY-PASS VALVE

WATERFRONT FLUID CONTROLS WATERFRONT ENGINEERING SERVICES

Unit 6, Elderpark Workspace, 100 Elderpark Street, Glasgow, G51 3TR.

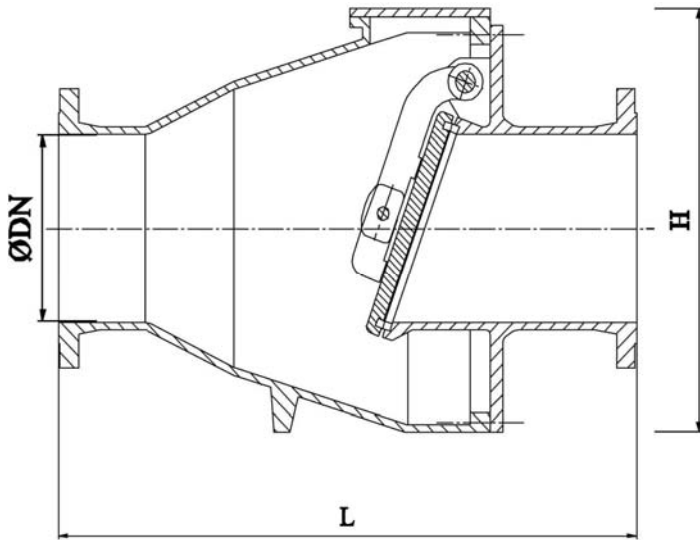
Tel: (44) 0141-5856750 Fax: (44) 0141-5856751

Website:

www.waterfrontfluidcontrols.com.uk

www.waterfrontengservices.co.uk

SPECIFICATIONS



DN	L (mm)	H (mm)	Weight (kg)
150	610	470	170
200	762	560	258
250	965	600	345
300	1067	715	450
350	1143	880	625
400	1143	890	857
450	1219	1020	1050
500	1321	1090	1450
600	1450	1190	1838
700	1580	1280	2513
800	1700	1370	3125
900	1840	1470	
1000	1985	1570	
1200	2145	1680	
1400	2315	1795	

TESTING

Working Pressure	16 Bars
Body Test Pressure	24 Bars
Seat Test Pressure	17.6 Bars

COMPONENT	MATERIAL
BODY	SG CAST IRON BS EN1563-EN-GJS-500/7
DISC	SG CAST IRON BS EN1563-EN-GJS-500/7
COVER	SG CAST IRON BS EN1563-EN-GJS-500/7
BODY SEAT RING	GUNMETAL BS1400 LG2
DISC SEAT RING	GUNMETAL BS1400 LG2
SHAFT	STAINLESS STEEL BS970-420
GASKETS	EPDM